



ORION ACOUSTIC

LED Acoustic/Pendant type Circular LED lighting fixture



- Aluminum Injection Body
- Adjustable length steel ropes
- Constant current LED driver
- Electrostatic powder coating paint
- Production in different lengths
- Optional Body Colors
- ENEC Standards,



BASIC OPTIONS

on/off	on/off Control (No Dimmable)
230V AC	Input Voltage 220-240V/AC - 50/60 Hz 5
CRI > 80	Color Rendering Index > 80
4K	Light Temperature 4000K
▲	Light Beam 120°
●	Black Body Color
B	-20°C/+40°C Temperature

PRODUCT CODE	W	Diameter	Temp	Lumen
ORION.10.450.N.4.120	10	450	4000K	730lm
ORION.15.450.N.4.120	15	450	4000K	1095lm
ORION.20.450.N.4.120	20	450	4000K	1460lm
ORION.25.450.N.4.120	25	450	4000K	1825lm
ORION.30.450.N.4.120	30	450	4000K	2190lm
ORION.35.450.N.4.120	35	450	4000K	2555lm
ORION.40.450.N.4.120	40	450	4000K	2920lm

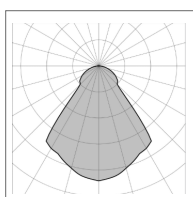
* According to 4000K light temperature

CUSTOMIZE OPTIONS

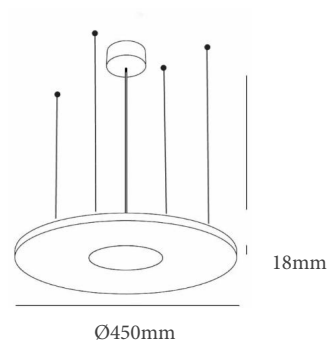
Dimmable 1-10V	Dimmable PUSH	Dimmable TRIAC	Dimmable DALI	Input Voltage 24V/DC	Light Temperature 3000K	Light Temperature 6500K	Dynamic White	Color Rendering Index > 90	Transparent Diffuser	White Body Color	EMERGENCY KIT
1-10V	PUSH	TRIAC	DALI	24V DC	3K	6.5K	DYN	CRI > 90	○	W	E

PRODUCT CODING

Product Name	Product Power	Product Size	Control System	Color Temperature	Light Beam
XX XX	XX	XX	on/off 1-10V PUSH TRIAC DALI	3K 4K 6.5K	▲
XX	XX	XX	N V P T D	3 4 6	XX



TECHNICAL DRAWINGS



* For different options, please contact our team.